

# TECHNICAL DATA

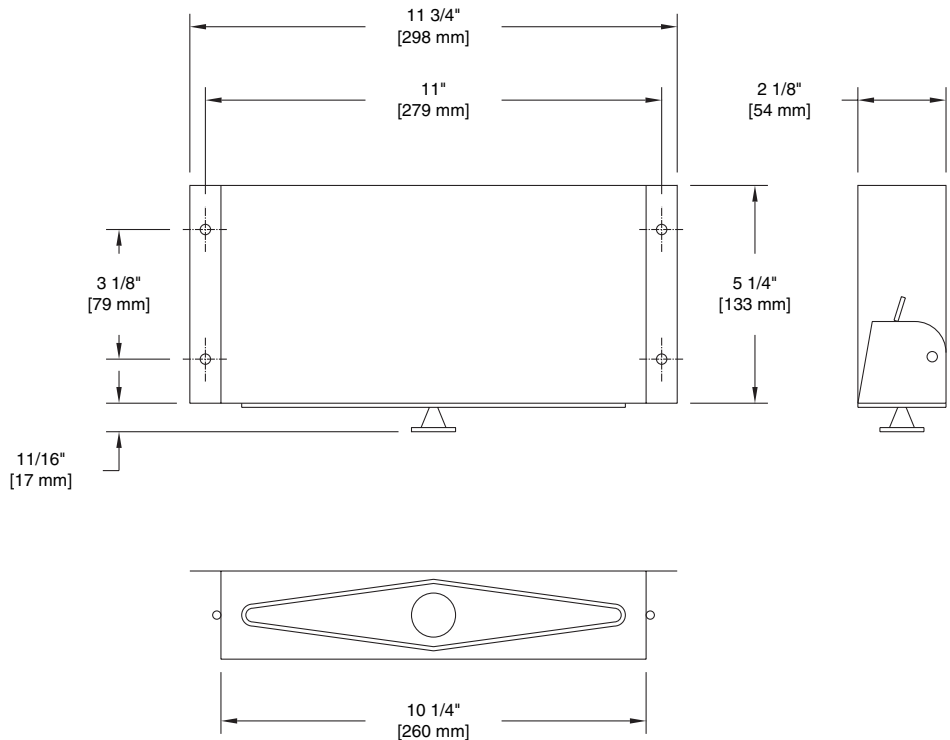
**LIBERTY HARDWARE**<sup>®</sup>  
MANUFACTURING CORPORATION

A Masco Company

140 Business Park Drive • Winston-Salem, NC 27107  
800.542.3789 • T 336.769.4077 • F 336.769.1839  
www.libertyhardware.com

## RECESSED TISSUE BOX FOR VANITY

919 Series



**MATERIALS:** Recessed box and door are of 23 gauge galvanized steel. Door springs are of plated steel. Door knob is of plastic.

**INSTALLATION:** Vanity top or apron must be cut with a suitable opening to allow tissue withdrawal. Install recess box under vanity or behind apron with 4- #8 x 3/4" roundhead zinc plated steel screws provided. Spring loaded door with knob at bottom of unit allows easy loading and unloading of tissue boxes.

**SPECIFICATION:** Recess vanity tissue box shall be model 919 by Liberty Hardware Manufacturing Corporation.